
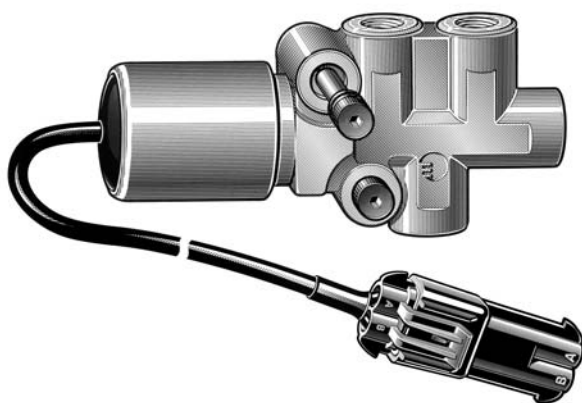
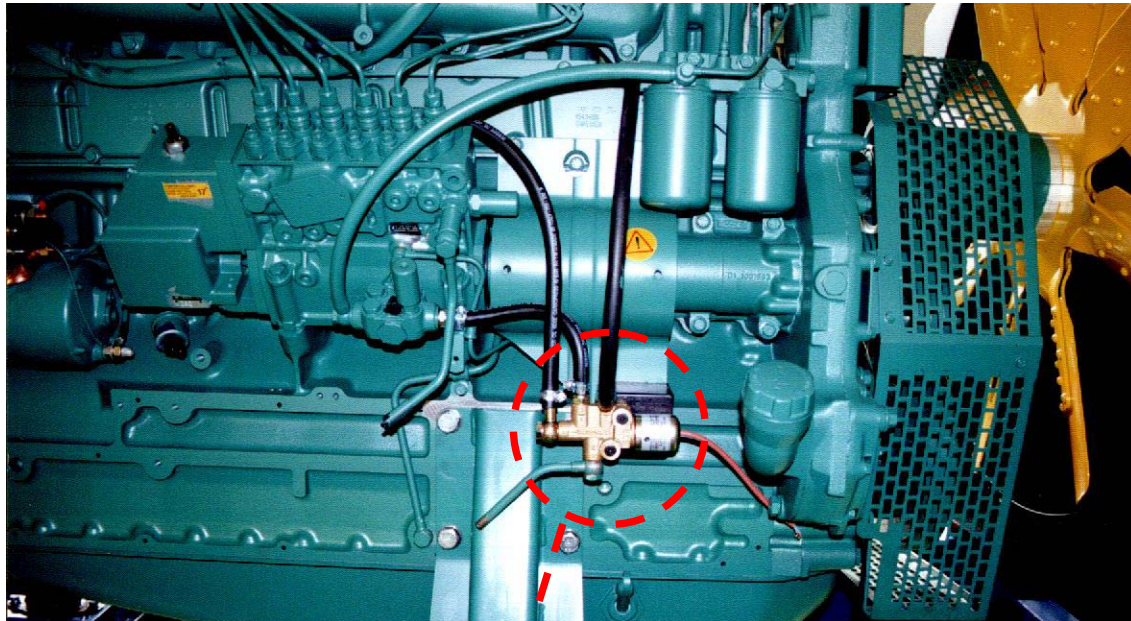


<b>Engine</b>	<b>Document:</b> Data Sheet	<b>PRODUCT NEWS</b>	 <b>HUEGLI TECH LTD</b> <b>SWITZERLAND</b> Tel.: +41-62-916 50 30 Fax. +41-62-916 50 35 <a href="http://www.huegli-tech.com">www.huegli-tech.com</a>
	<b>Version:</b> 2		
	<b>Status:</b> actual		
	<b>Author:</b> mh <b>Date:</b> 05-06-01		
	<b>Approved:</b> lh <b>Date:</b> 05-06-01		
<b>Protection</b>	<b>File:</b> <i>PC-file</i>		

## A very safe method to protect YOUR engine



**With the G4  
2-position / 4 way  
fuel valve**

**When an alarm signal occurs, the G4 fuel valve instantly reverses the supply pump suction into the injection pump.  
Result: Instant engine stop**

**Ask for information and quotes**